

SPECIFICATION FOR APPROVAL  
AC/DC ADAPTOR

CUSTOMER SPEC:INPUT: 100-240V AC 50/60Hz OUTPUT: 5.0VDC 2.0A

CUSTOMER DWG./PART NO. \_\_\_\_\_

KTEC PART NO. KSM-12W-050200VU (PAHS 6P NP REACH ROHS PROP65)

SAMPLE NO: S99302 REV.: A ISSUE DATE: 2024-05-16

PRODUCT NO: KS240361

Unit Color: Black

White

| APPROVED SIGNATURES/客户确认 |                 |               |
|--------------------------|-----------------|---------------|
| 核准/APPROVED BY           | 审核/ CHECKED BY: | 检测/TESTED BY: |
|                          |                 |               |

| Manufacturer/制造商 |       |                |            |
|------------------|-------|----------------|------------|
| 业务/SALES         | 品管/QE | 核准/APPROVED BY | 制样/MADE BY |
| Frank            | 徐海鑫   | 贺洪明            | 冯连连        |

KTEC GLOBAL CO., LTD.  
KTEC 冠德国际科技股份有限公司

深圳研发中心地址: 中国广东省深圳市光明新区马田街道办合水口社区第四工业区中鹏程大厦四楼  
ADD: 4F Zhong PengCheng Building, No.4 Industrial Park, He shuikou Community, Matian street,  
Guangming New Zone, Shenzhen City, guangdong province, China

台北总部地址: 235024 新北市中和区中板路 23 号 9 楼  
ADD: 9F., No. 23, Zhongban Rd., Zhonghe Dist., New Taipei City 235024

柬埔寨制造据点: 柬埔寨茶胶省当谷县本布乡站波村(三号公路 66 公里处)  
ADD: Phum Chornpul, Khum P'pel, Srok Tramkork, Takeo Province, Kingdom  
of Cambodia(66KM,National Broad Road)

TEL:86-755-27160388 FAX:86-755-27160145  
[Http://www.twktec.com](http://www.twktec.com)





KTEC 冠德國際科技  
KTEC GLOBAL CO., LTD.

**Switching power supply specification(class B)**

|                         |                    |                      |
|-------------------------|--------------------|----------------------|
| <b>KTEC P/N:</b>        | <b>PRODUCT NO:</b> | <b>CUSTOMER P/N:</b> |
| <b>KSM-12W-050200VU</b> | <b>KS240361</b>    |                      |

|       |  |    |
|-------|--|----|
| 1     | GENERAL.....                                       | 4  |
| 1.1   | Description.....                                   | 4  |
| 2     | INPUT REQUIREMENTS.....                            | 4  |
| 2.1   | Input Conditions.....                              | 4  |
| 2.2   | AC Inrush Current.....                             | 4  |
| 3     | OUTPUT REQUIREMENTS.....                           | 4  |
| 4     | MECHANICAL.....                                    | 5  |
| 4.1   | Enclosure and Layout.....                          | 5  |
| 4.2   | Input and Output Configuration.....                | 5  |
| 5     | REGULATORY COMPLIANCE.....                         | 6  |
| 5.1   | EMC Specifications.....                            | 6  |
| 5.1.1 | Radiated and Conducted Emission.....               | 6  |
| 5.2   | Immunity.....                                      | 6  |
| 5.2.1 | Electrostatic Discharge Immunity.....              | 6  |
| 5.2.2 | Radiated Field Immunity.....                       | 6  |
| 5.2.3 | Fast Transient Immunity.....                       | 6  |
| 5.2.4 | Surge Immunity.....                                | 6  |
| 5.3   | Safety Requirements and Certification.....         | 7  |
| 5.3.1 | Regulatory Standard.....                           | 7  |
| 5.3.2 | Additional Safety Requirements.....                | 7  |
| 6     | ENVIRONMENTAL REQUIREMENTS.....                    | 7  |
| 6.1   | Temperature.....                                   | 7  |
| 6.2   | Humidity.....                                      | 7  |
| 7     | APPEARANCE DRAWING: (Unit: mm).....                | 8  |
| 8     | NAME PLATE:.....                                   | 9  |
| 9     | DIMENSION OF OUTPUT PLUG & DC CORD (Unit: mm)..... | 10 |
| 10    | PACKING (Unit: mm).....                            | 11 |

|                       |                         |                       |                         |                      |
|-----------------------|-------------------------|-----------------------|-------------------------|----------------------|
| <b>TITLE:</b>         |                         | <b>REVISION:A</b>     | <b>DRAWING NO.:</b>     |                      |
| <b>PREPARED : 余国娟</b> | <b>CHECKED: 冯小山 林英青</b> | <b>APPROVED : 贺洪明</b> | <b>DATE: 2024-05-16</b> | <b>PAGE: 3 OF 11</b> |



**Switching power supply specification(class B)**

|                  |             |               |
|------------------|-------------|---------------|
| KTEC P/N:        | PRODUCT NO: | CUSTOMER P/N: |
| KSM-12W-050200VU | KS240361    |               |

**1 GENERAL**

1.1 Description

This specification defines the performance characteristics for a class II adapter, single-phase 10 watts. Single output level power supply.

- Simple design philosophy.
- Reliability level of 50K hours MTBF @ 25° C (rated input voltage and using the Telcordia SR-332 issue 3 method).
- DC output voltage must be Safe Extra Low Voltage (SELV) & Limited Power as defined by IEC60601.
- Cooling: natural convection.

**2 INPUT REQUIREMENTS**

2.1 Input Conditions

The supply shall operate over the voltage ranges as follows:

|                                |   |
|--------------------------------|---|
| Rated input voltage            | 100-240Vac  |
| Operating range                | 90-264Vac   |
| Rated input frequency          | 50/60Hz +/- 3Hz   |
| Rated input current            | 0.4A max.   |
| Power consumption (no-loading) | 0.1W max.   |
| Primary current protection     | An adequate internal fuse on the AC input line is provided. |
| Configuration                  | <u>2</u> Conductor  |

2.2 AC Inrush Current

No damage shall be occurred and the input fuse shall not be blown up nominal input voltage full load 25°C cold start.

**3 OUTPUT REQUIREMENTS**

|     |                           |   |
|-----|---------------------------|---|
| 3.1 | Nominal DC output voltage | +5.0V   |
| 3.2 | Minimum load current      | 0.01A   |
| 3.3 | Rating load current       | 2.0A  |
| 3.4 | Peak load current         | /   |
| 3.5 | Rating output power       | 10W   |
| 3.6 | Line regulation           | The line regulation is less than <u>±5%</u> while measuring at rated load and +/-10% of input voltage changing.     |
| 3.7 | Load regulation           | The load regulation for <u>+5.0V</u> is less than <u>±5%</u> , at measured output load from 10% to 100% rated load. |

|                |                  |                |                  |               |
|----------------|------------------|----------------|------------------|---------------|
| TITLE:         |                  | REVISION:A     | DRAWING NO.:     |               |
| PREPARED : 余国娟 | CHECKED: 冯小山 林英青 | APPROVED : 贺洪明 | DATE: 2024-05-16 | PAGE: 4 OF 11 |



KTEC 冠德國際科技  
KTEC GLOBAL CO., LTD.

**Switching power supply specification(class B)**

|                  |             |               |
|------------------|-------------|---------------|
| KTEC P/N:        | PRODUCT NO: | CUSTOMER P/N: |
| KSM-12W-050200VU | KS240361    |               |

|      |                          |   |
|------|--------------------------|---|
| 3.8  | Ripple and noise         | 150 mVp-p<br>Add 0.1uF/50V ceramic capacitor and 10uF/50V aluminum electrolytic capacitor across the output terminal. Measured with 20MHz Bandwidth Oscilloscope. |
| 3.9  | Average efficiency       | <u>78.7%</u> minimum<br>115V/60Hz and 230V/50Hz, output current from 100%, 75%, 50%, 25%  |
| 3.10 | Turn on delay time       | <u>3000 ms Max.</u> at nominal input AC voltage and full load   |
| 3.11 | Rise time                | The supply shall have a start-up rise time of less than <u>20ms</u> to rise to within regulation limits for all DC outputs.                                       |
| 3.12 | Hold up time             | <u>8 ms</u> minimum at nominal input 100V AC minimum voltage and full load.   |
| 3.13 | Output over-shoot        | Less than <u>7%</u> of nominal voltage value.   |
| 3.14 | LED indication function  | /   |
| 3.15 | Protection function      |   |
|      | Short-circuit protection | The adapter shall not be damaged by short the DC output to Ground. The adapter shall resume normal operation when a short circuited fault condition is removed.   |
|      | Over current protection  | The output shall be protected against the over current conditions.  |

**4 MECHANICAL**

4.1 Enclosure and Layout

Plastic case: UL94V-0  
 Weight: 7g (Max.)  
 Dimensions: 61.5\*28.5\*39.5mm  
 Colour: WHITE(WT-07)

4.2 Input and Output Configuration

Input pin: US Pin  
 Output connector: DC plug type: 5.5\*2.5\*10.5mm  
 Polarity: Center: "+"  
 Cable: 1.5M VW-1 80°C 300V 2468 2C 22AWG WHITE(WT-07)  
(PAHS+6P+NP+REACH+ROHS+PROP65)

|                |                  |                |                  |               |
|----------------|------------------|----------------|------------------|---------------|
| TITLE:         |                  | REVISION:A     | DRAWING NO.:     |               |
| PREPARED : 余国娟 | CHECKED: 冯小山 林英青 | APPROVED : 贺洪明 | DATE: 2024-05-16 | PAGE: 5 OF 11 |



**Switching power supply specification(class B)**

|                         |                    |                      |
|-------------------------|--------------------|----------------------|
| <b>KTEC P/N:</b>        | <b>PRODUCT NO:</b> | <b>CUSTOMER P/N:</b> |
| <b>KSM-12W-050200VU</b> | <b>KS240361</b>    |                      |

**5 REGULATORY COMPLIANCE**

**5.1 EMC Specifications**

The external power supply must meet all specification in this section. It is recommended that the external power supply be tested with the customer’s equipment in order to get the best EMC solution.

**5.1.1 Radiated and Conducted Emission**

FCC part 15: Class B for radiated and conducted emissions.  
CISPR-II / EN55011: Class B for radiated and conducted emissions.

**5.2 Immunity**

**5.2.1 Electrostatic Discharge Immunity**

EN 61000-4-2

- Air Discharge: ±8kv
- Contact Discharge: ±4kv
- Performance Criteria B

Electrostatic-discharge test by contact or air should be conducted with Static-discharge tester, energy storage capacitance of 150pF, and discharge resistance of 330Ω, 8kv air discharge, 4kv contact discharge.

**5.2.2 Radiated Field Immunity**

EN 61000-4-3

- Frequency Range: 80-1000MHz
- Field Strength: 3 V/m with 80% amplitude modulation of 1kHz
- Performance Criteria A

Radio-frequency electromagnetic field susceptibility test, RS 80-1000MHz, 3V/m, 80%AM(1KHz).

**5.2.3 Fast Transient Immunity**

EN 61000-4-4

- Power line: 2kv
- Performance Criteria B

**5.2.4 Surge Immunity**

EN 61000-4-5

- 1.2/50 μs Open Circuit voltage
- 8/20 μs Short Circuit current
- Power line: 1kv
- Line to earth: 2kv

Lighting surge voltage of differential and common modes shall be applies across AC input lines and cross input and frame ground.

|                       |                         |                       |                         |                      |
|-----------------------|-------------------------|-----------------------|-------------------------|----------------------|
| <b>TITLE:</b>         |                         | <b>REVISION:A</b>     | <b>DRAWING NO.:</b>     |                      |
| <b>PREPARED :</b> 余国娟 | <b>CHECKED:</b> 冯小山 林英青 | <b>APPROVED :</b> 贺洪明 | <b>DATE:</b> 2024-05-16 | <b>PAGE:</b> 6 OF 11 |



KTEC 冠德國際科技  
KTEC GLOBAL CO., LTD.

**Switching power supply specification(class B)**

|                         |                    |                      |
|-------------------------|--------------------|----------------------|
| <b>KTEC P/N:</b>        | <b>PRODUCT NO:</b> | <b>CUSTOMER P/N:</b> |
| <b>KSM-12W-050200VU</b> | <b>KS240361</b>    |                      |

**5.3 Safety Requirements and Certification**

**5.3.1 Regulatory Standard**

The power supply shall comply with the following international regulatory standards:

| for short | Country | Certified Status | Standard             |
|-----------|---------|------------------|----------------------|
| UL        | USA     | /                | ANSI/AAMI ES 60601-1 |

**5.3.2 Additional Safety Requirements**

- ⊙ Dielectric Withstand Voltage, Primary(input AC short)-to-Secondary(output DC short): 4000Vac, 5m A, 1 minute.
- ⊙ Insulation Resistance, Input to output: 10MΩ(MIN.) at 500VDC.
- ⊙ Reinforced insulation system, Primary-to-Ground and Primary-to-Secondary.
- ⊙ The leakage current shall not exceed 0.1mA.

**6 ENVIRONMENTAL REQUIREMENTS**

**6.1 Temperature**

- ⊙ Operating: 0°C +40°C
- ⊙ Non-Operating: -20°C +80°C

**6.2 Humidity**

- ⊙ Operating: 10%~90% (Non Condensing)
- ⊙ Non-Operating: 10%~90% (Non Condensing)

|                       |                         |                       |                         |                      |
|-----------------------|-------------------------|-----------------------|-------------------------|----------------------|
| <b>TITLE:</b>         |                         | <b>REVISION:A</b>     | <b>DRAWING NO.:</b>     |                      |
| <b>PREPARED : 余国娟</b> | <b>CHECKED: 冯小山 林英青</b> | <b>APPROVED : 贺洪明</b> | <b>DATE: 2024-05-16</b> | <b>PAGE: 7 OF 11</b> |



KTEC 冠德國際科技  
KTEC GLOBAL CO., LTD.

**Switching power supply specification(class B)**

KTEC P/N:

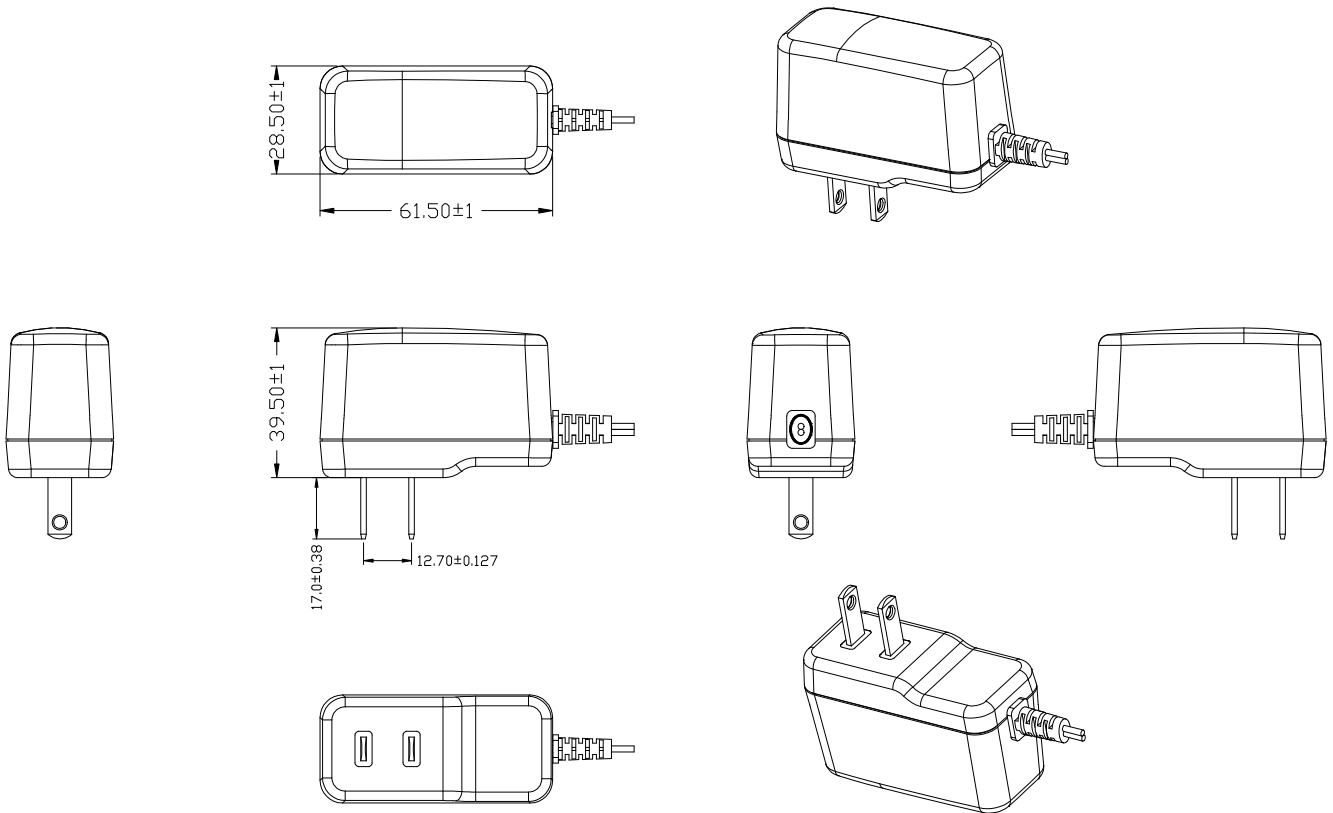
PRODUCT NO:

CUSTOMER P/N:

KSM-12W-050200VU

KS240361

**7 APPEARANCE DRAWING: (Unit: mm)**



- NOTE: 1. Case cover & chassis material:  
PC WHITE(WT-07) (NO KTEC)  
2. AC PIN MATERIAL: BRASS (NI PLATED)  
3. PAHS 6P NP REACH ROHS PROP65  
4. Satin finish  
5. Top Model: MSS014105; Bottom Model: MSS014127

|                |                  |                |                  |               |
|----------------|------------------|----------------|------------------|---------------|
| TITLE:         |                  | REVISION:A     | DRAWING NO.:     |               |
| PREPARED : 余国娟 | CHECKED: 冯小山 林英青 | APPROVED : 贺洪明 | DATE: 2024-05-16 | PAGE: 8 OF 11 |





KTEC 冠德國際科技  
KTEC GLOBAL CO., LTD.

Switching power supply specification(class B)

KTEC P/N:

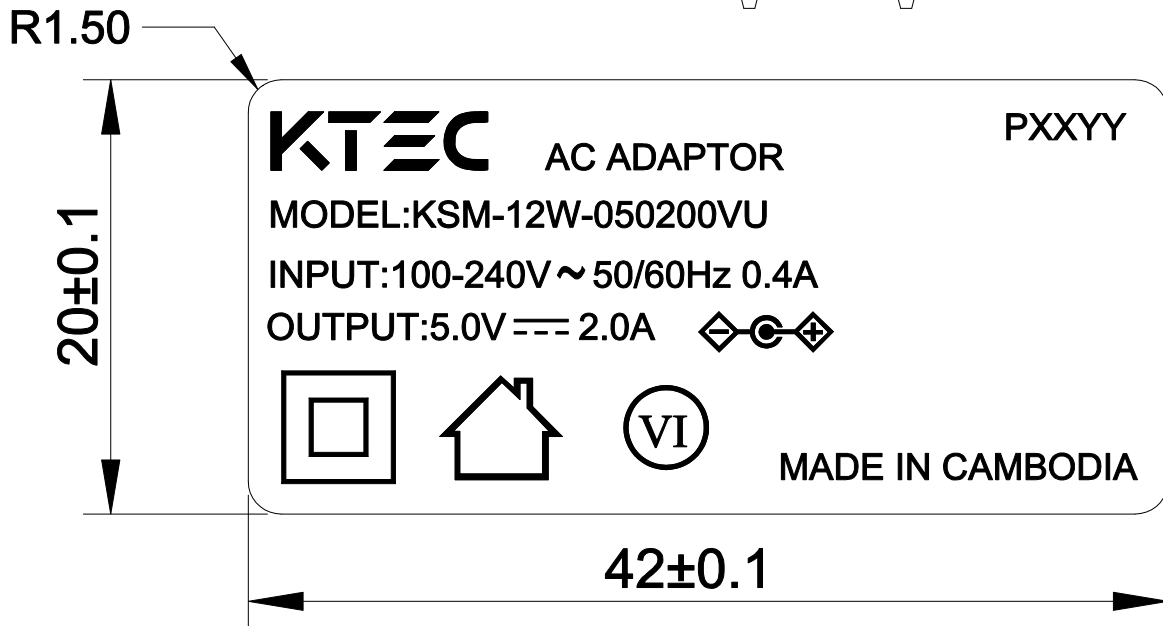
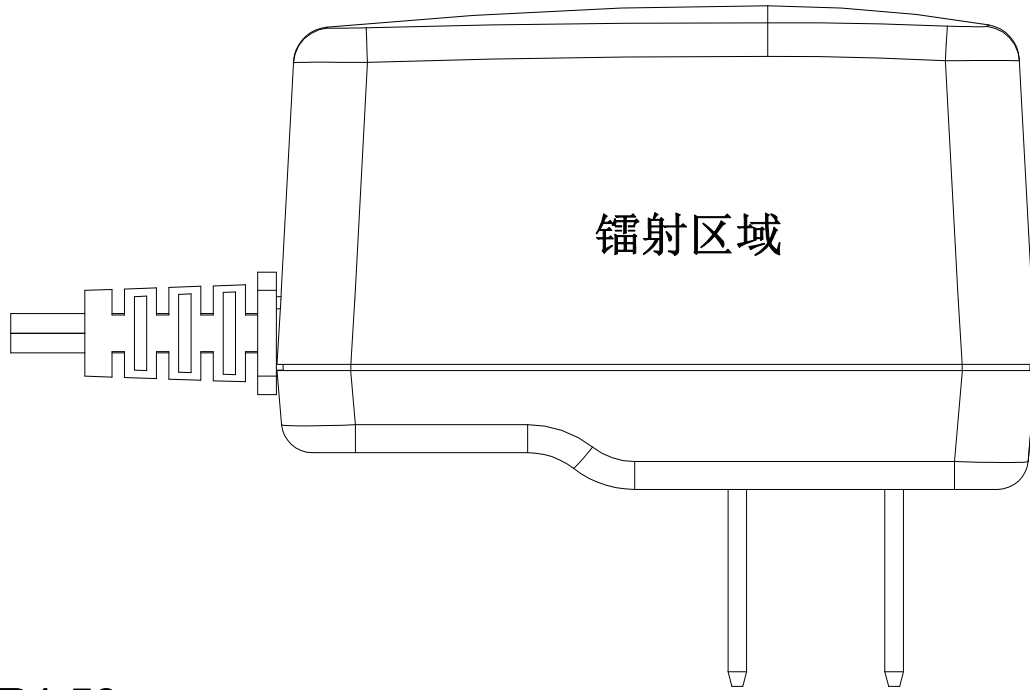
PRODUCT NO:

CUSTOMER P/N:

KSM-12W-050200VU

KS240361

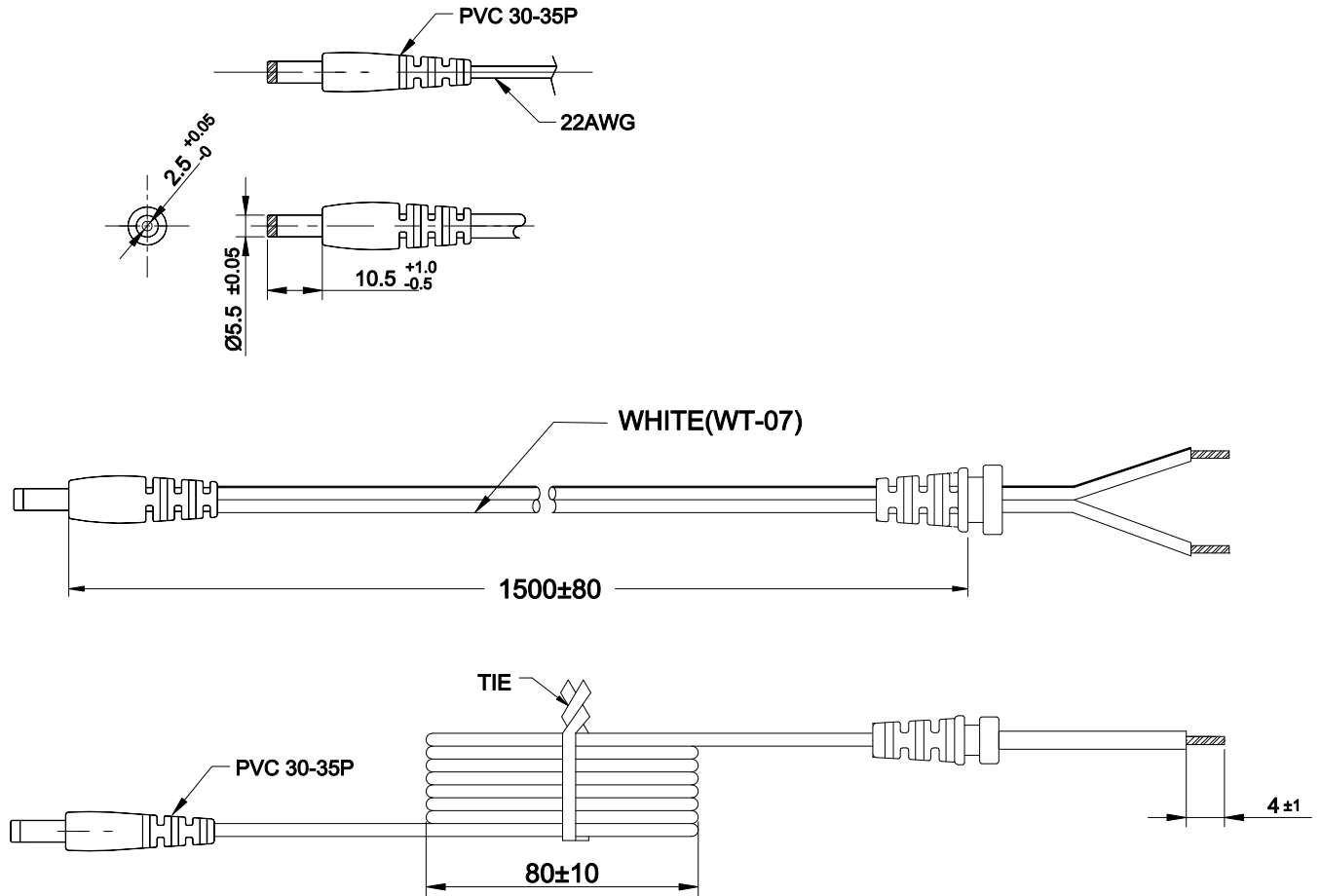
8 NAME PLATE:



NOTE: Laser 鐳射  
Date code(PXXYY:P=PAHS,6P,NP, XX=WEEK, YY=YEAR)  
按实际生产日期制作

|                |                  |                |                  |               |
|----------------|------------------|----------------|------------------|---------------|
| TITLE:         |                  | REVISION:A     | DRAWING NO.:     |               |
| PREPARED : 余国娟 | CHECKED: 冯小山 林英青 | APPROVED : 贺洪明 | DATE: 2024-05-16 | PAGE: 9 OF 11 |

9 DIMENSION OF OUTPUT PLUG & DC CORD (Unit: mm)



NOTE: (unit:mm)

- 1).WIRE TYPE:VW-1 2468 80°C 300V L=1500mm 2C 22AWG WHITE(WT-07)  
BLACK and WHITE----Positive WHITE----Negative
- 2).THE POLARITY:
- 3).PAHS 6P NP REACH ROHS PROP65
- 4).SR MOLD: 3.5-12W (ML00503)

TITLE:

REVISION:A

DRAWING NO.:

PREPARED : 余国娟

CHECKED: 冯小山 林英青

APPROVED : 贺洪明

DATE: 2024-05-16

PAGE: 10 OF 11



KTEC 冠德國際科技  
KTEC GLOBAL CO., LTD.

**Switching power supply specification(class B)**

KTEC P/N:

PRODUCT NO:

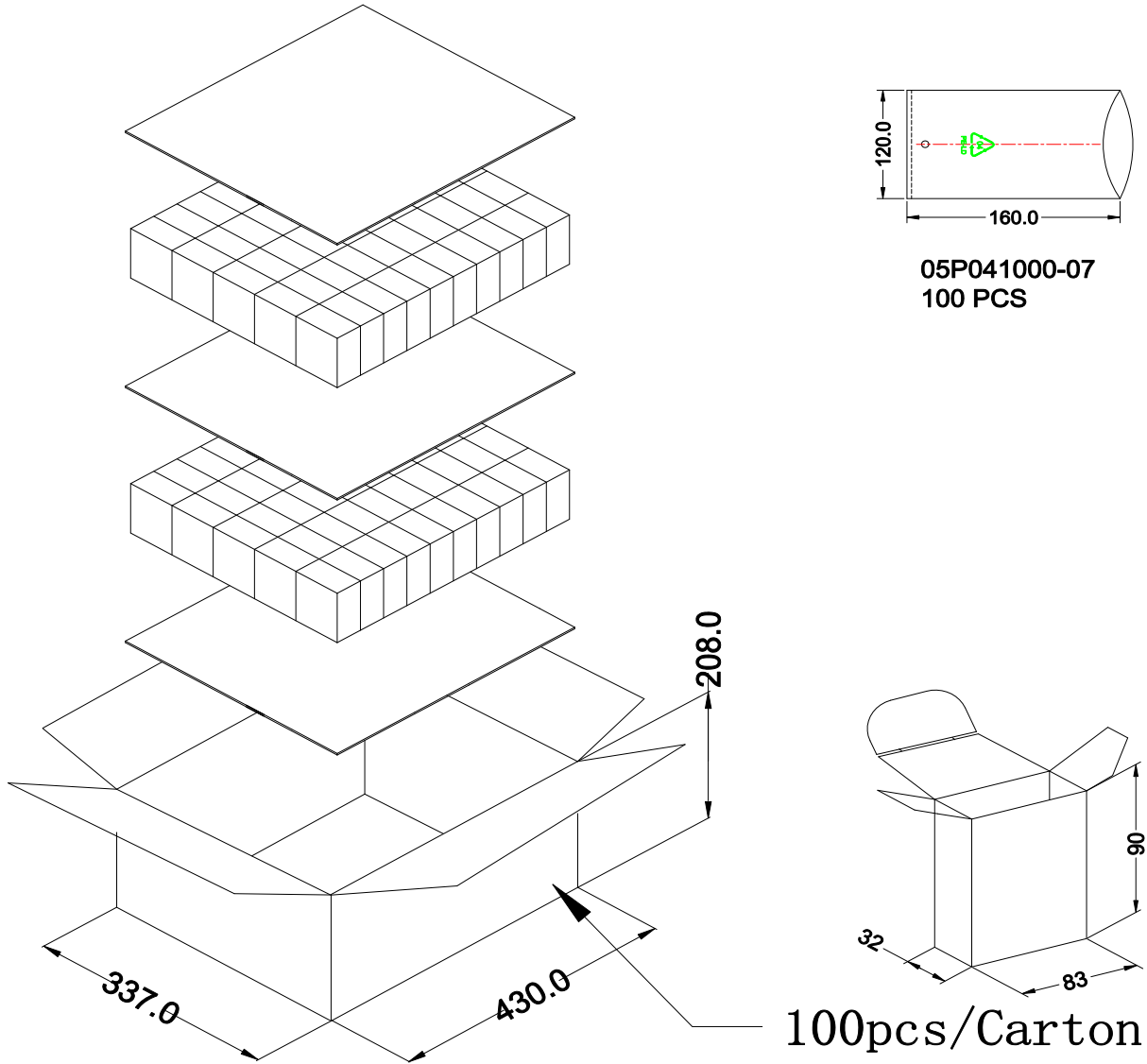
CUSTOMER P/N:

KSM-12W-050200VU

KS240361

**10 PACKING (Unit: mm)**

此包装为公司标准品包装，可能与样品包装不同，请确认！



|                |                  |                |                  |                |
|----------------|------------------|----------------|------------------|----------------|
| TITLE:         |                  | REVISION:A     | DRAWING NO.:     |                |
| PREPARED : 余国娟 | CHECKED: 冯小山 林英青 | APPROVED : 贺洪明 | DATE: 2024-05-16 | PAGE: 11 OF 11 |